

## STABILIZED PLATFORM - 3 AXIS

**P/N: M334**

**DESCRIPTION: 3 AXIS STABILIZED PLATFORM**

**SYSTEM COMPONENTS > ST077:**

- M334 PLATFORM
- Q615 CONTROL CABINET
- Q612 CONTROL PANEL
- Q618 SAFETY SWITCH

**INPUT LINE:** THREE PHASE 380V 50Hz or  
THREE PHASE 440V 60Hz

**ANGLES RANGE:** Azimuth: continuous  
Roll: +/- 25°  
Pitch: +/- 10°

**ANGLES ACCURACY:** Azimuth: continuous  
Roll: +/- 25°  
Pitch: +/- 10°

**DIMENSIONS & MASS:** [mm] 1260 x 830 x 630  
200 Kg

**MAIN PROJECT STANDARDS REFERENCES:**

- MIL-STD-810 (Environmental conditions)
- MIL-STD-461 (EMC)
- MIL-STD-167-1 (Vibration)
- MIL-STD-740 (Noise)
- MIL-S-901 (Shock)

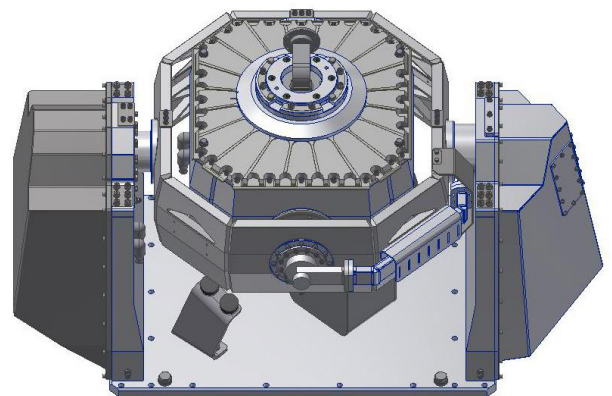
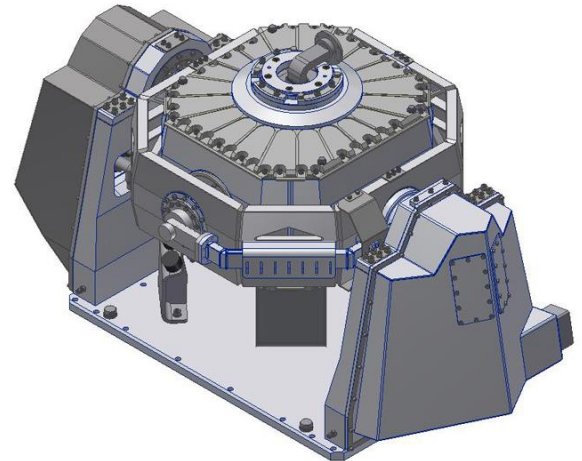
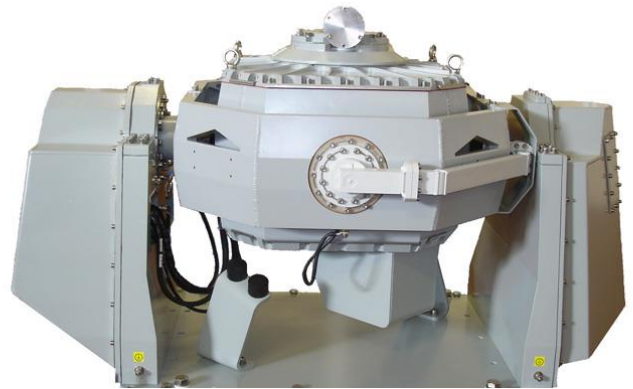
**IP GRADE:** IP54

**ELECTRIC INTERFACE:** MIL CONNECTORS

**SYSTEM (e.g.)**

- ANTENNA ROTATION
- RADAR ROTATION

**APPLICATION FIELD:** NAVAL DEFENCE



**KEY POINT: WAVEGUIDE TO PAYLOAD WITH 3 ROTARY JOINTS  
LOW ERROR DURING ROTATION/STABILIZATION**

Eurocontrol S.p.A., società a socio unico

Via Luigi Cibrario, 4 - 16154 Genova | Tel. +39 010 42 25 11  
info@eurocontrol-spa.com | [www.eurocontrol-spa.com](http://www.eurocontrol-spa.com)

